



**MULTIPOWER
INTERNATIONAL, INC.**

PART NO: 120 125 130

DRAWING NO:

DESCRIPTION

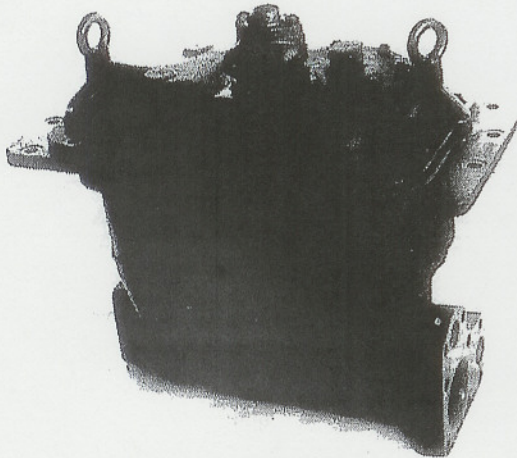
NANKOU FEED WATER HEATER SYSTEM

The Nankou Feed Water Heater System is similar in design to the Worthington type SA-3 feed water heater. It consists of a steam turbine-driven cold water pump, a steam driven reciprocating hot water pump and a heat transfer unit. All major components are cast steel.

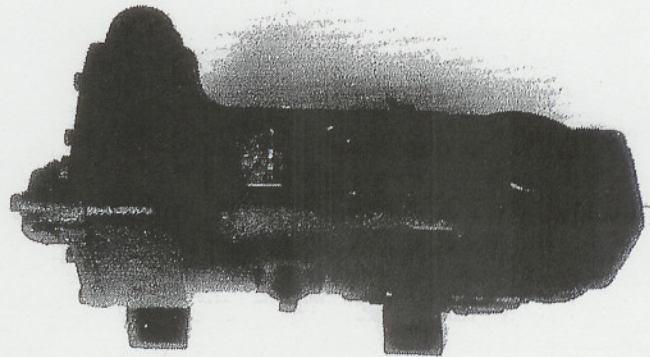
Capacity @ 200 PSI
90 gals./min.
5500 gals./hr.

Connection Sizes
Tapped pipe hole are NPT
Flanges are 5", 6", 7" & 8"

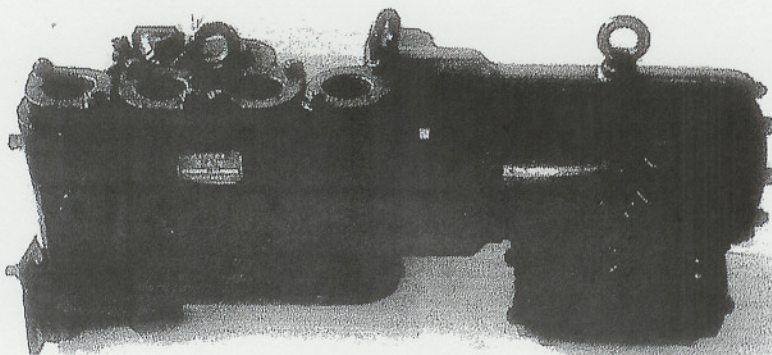
Note: The Nankou feed water heater system is available as a three piece unit or as individual components.



130 HEAT TRANSFER UNIT



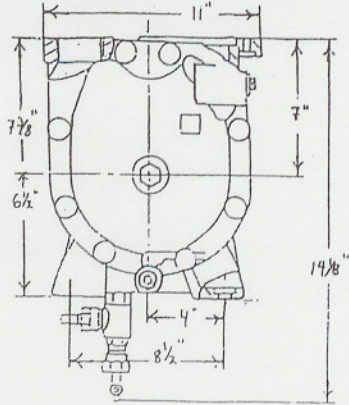
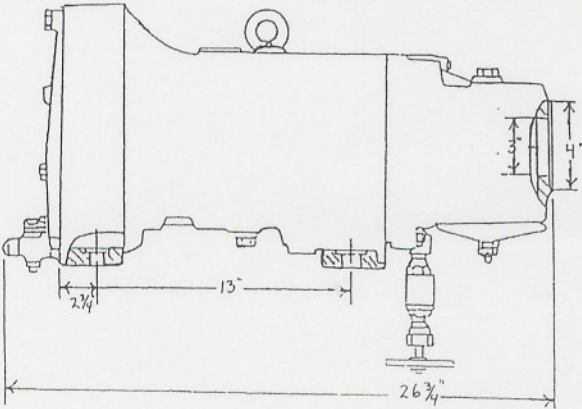
125 COLD WATER PUMP



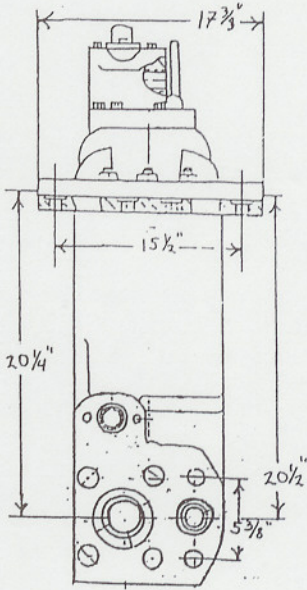
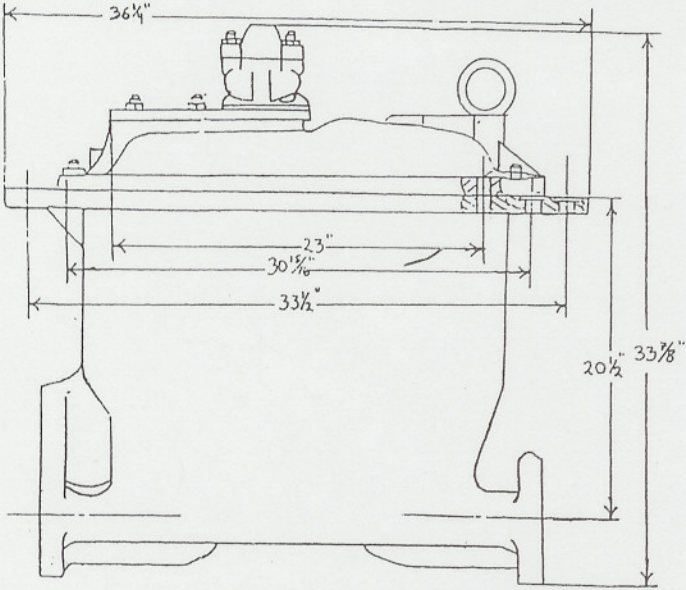
120 HOT WATER PUMP

P. O. Box 197, Towaco, NJ 07082
Tel. (973) 331-7242

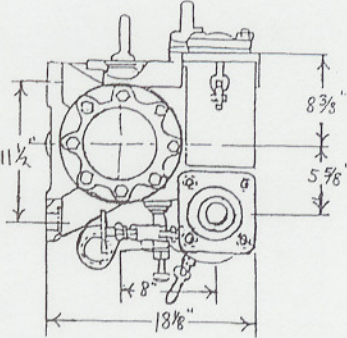
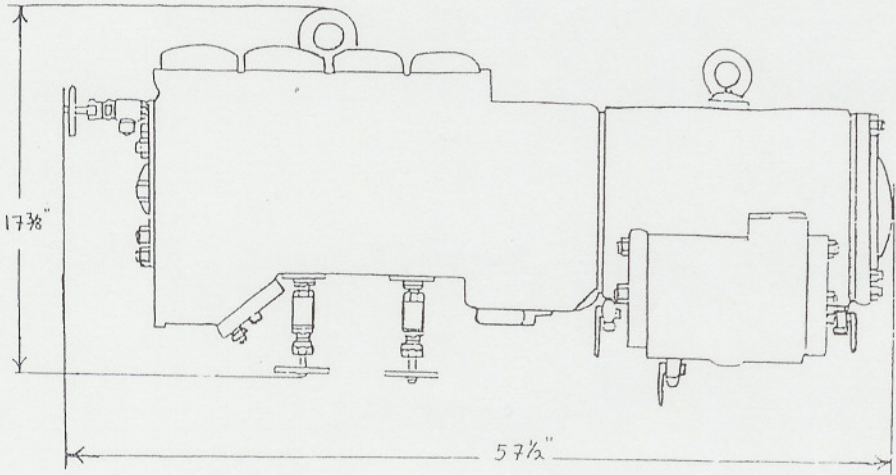
DIMENSIONS IN INCHES



COLD WATER PUMP



HEAT TRANSFER UNIT



HOT WATER PUMP