



**MULTIPOWER  
INTERNATIONAL, INC.**

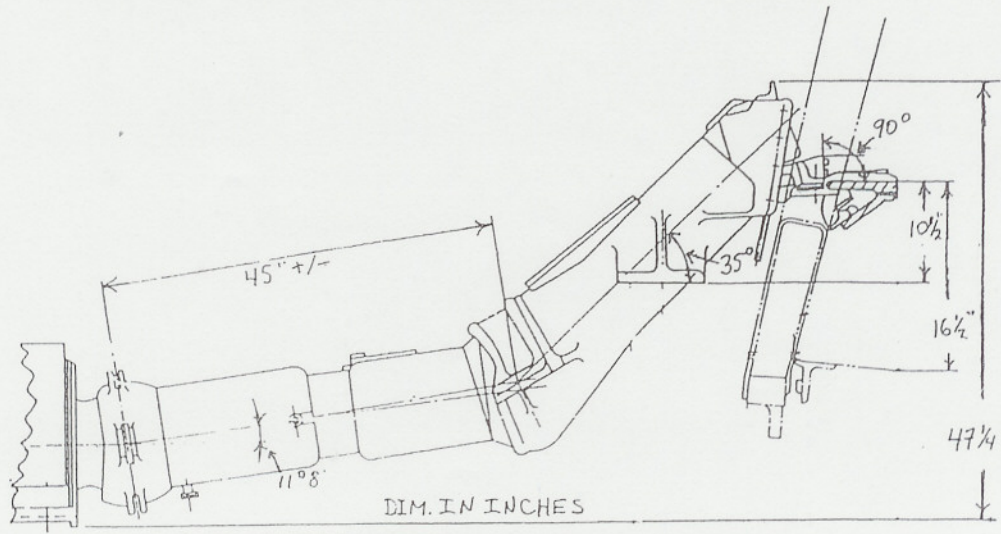
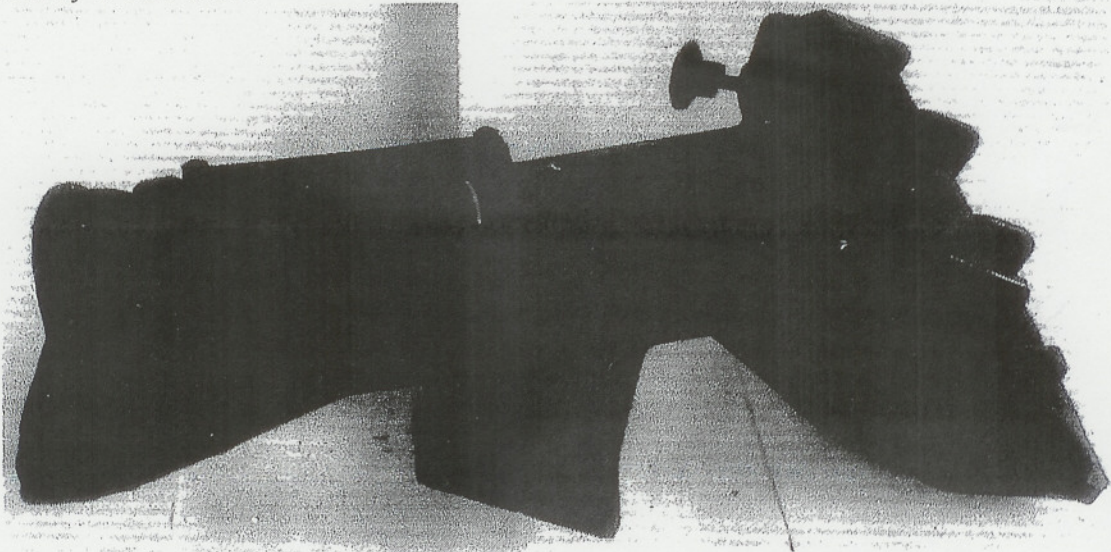
PART NO: 440

DRAWING NO:

DESCRIPTION

**TYPE HT-1 STOKER ASSEMBLY**

The type HT-1 stoker assembly provides replacement parts for locomotives equipped with Standard Stoker type HT-1 and for new installations of the same. This assembly is a kit containing all castings between the stoker trough and the firing table. When purchased with the HT-1 firing table and appropriate stoker screws, it constitutes an entire unit save stoker trough, engine and controls (available, price on application). The stoker assembly is cast steel.



P. O. Box 197, Towaco, NJ 07082  
Tel. (973) 331-7242