



**MULTIPOWER
INTERNATIONAL, INC.**

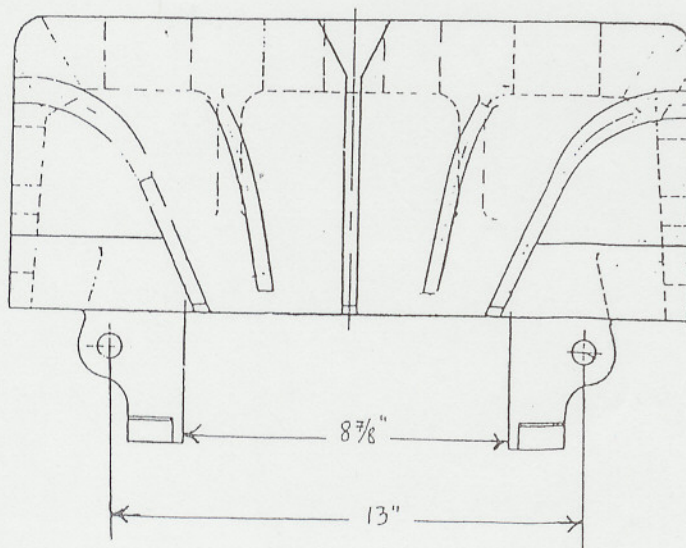
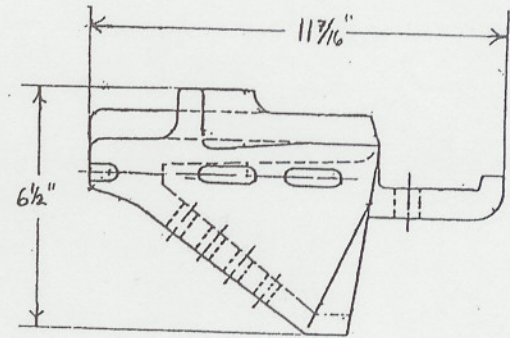
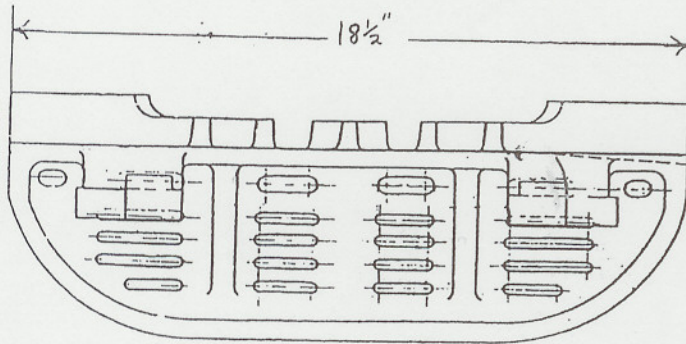
PART NO: 450

DRAWING NO:

DESCRIPTION

TYPE HT-1 FIRING TABLE

The type HT-1 firing table is a replacement part for locomotives equipped with Standard Stoker type HT-1 stokers. Its design is similar to the original HT-1 stoker table. It is cast iron.



P. O. Box 197, Towaco, NJ 07082
Tel. (973) 331-7242